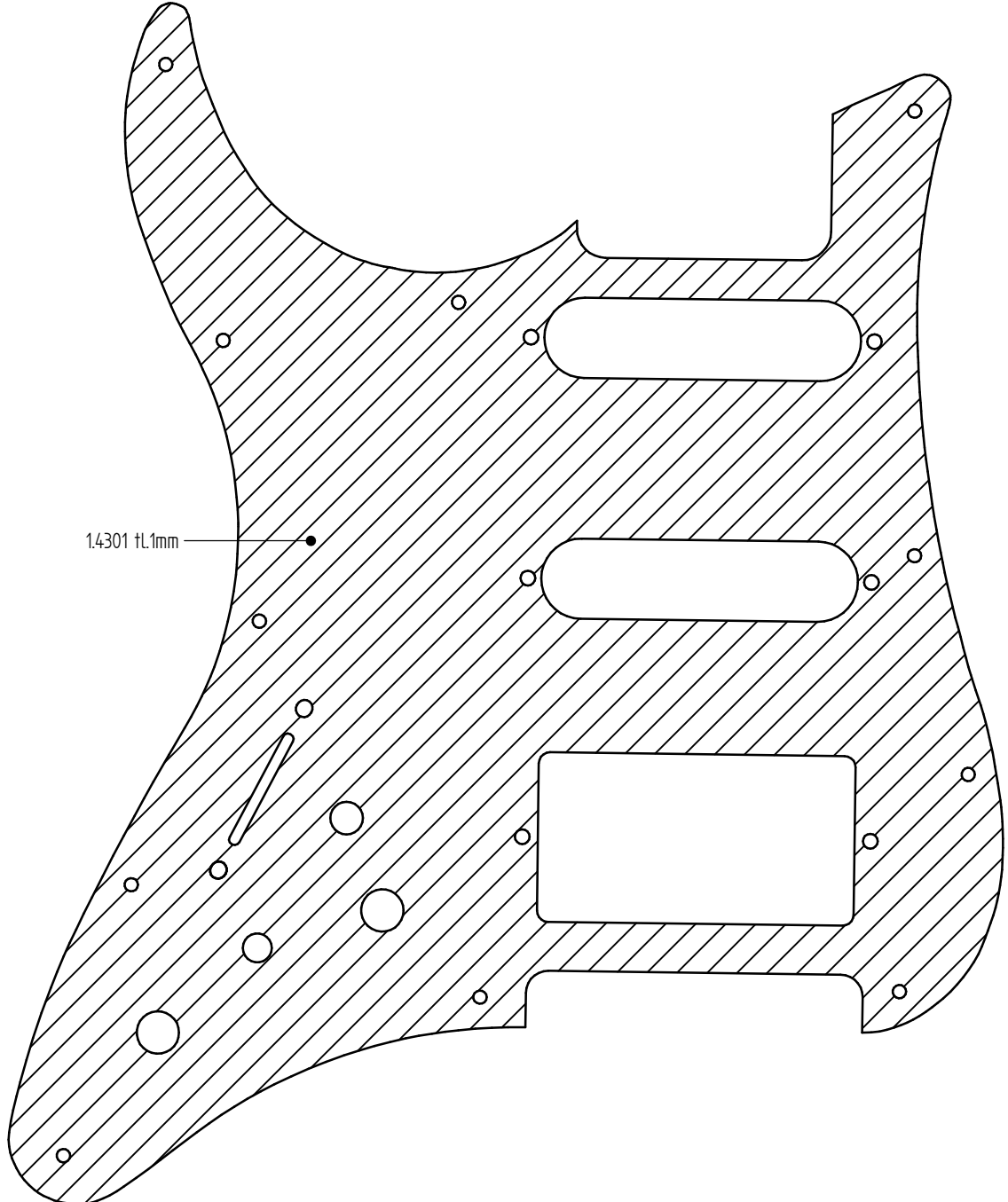
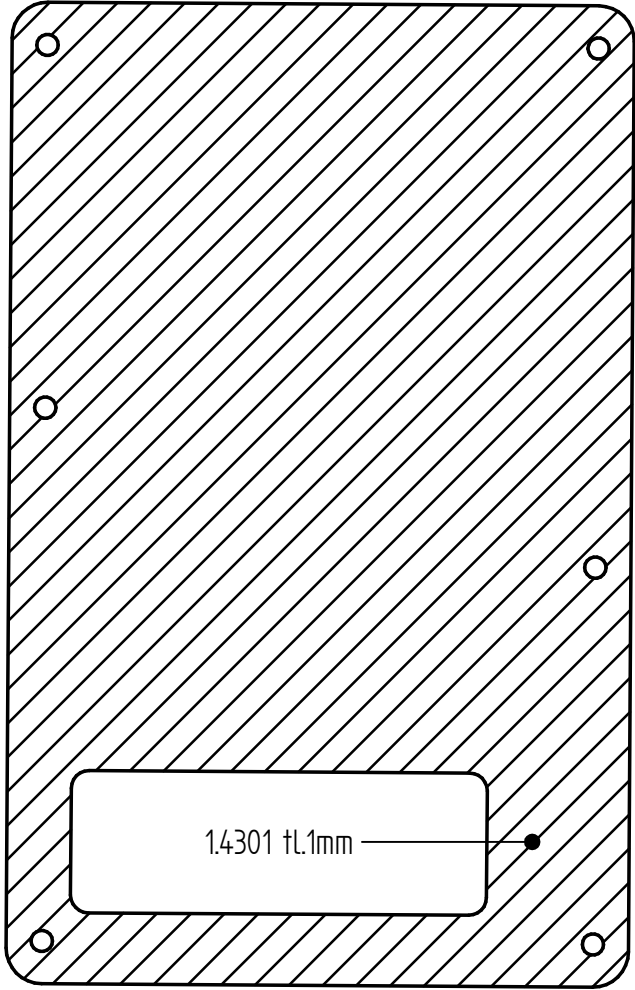


REVISION HISTORY			
REV	DESCRIPTION	DATE	APPROVED



	NAME	DATE	Solid Edge		
DRAWN	marsik	08/07/23			
CHECKED			TITLE		
ENG APPR					
MGR APPR					
UNLESS OTHERWISE SPECIFIED DIMENSIONS ARE IN MILLIMETERS ANGLES ±X.X° 2 PL ±XXX 3 PL ±XXXX			SIZE	DWG NO	REV
			A3		
			FILE NAME: pickguard_1mm.dft		
SCALE:		WEIGHT:	SHEET 1 OF 3		

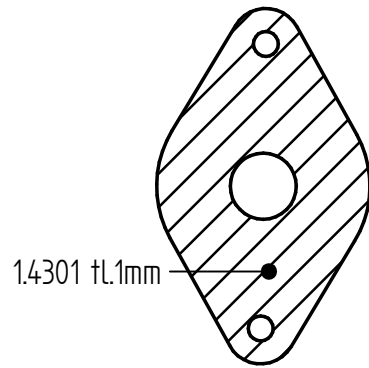


REVISION HISTORY			
REV	DESCRIPTION	DATE	APPROVED

	NAME	DATE	Solid Edge		
DRAWN	marsik	08/07/23			
CHECKED			TITLE		
ENG APPR					
MGR APPR					
UNLESS OTHERWISE SPECIFIED DIMENSIONS ARE IN MILLIMETERS ANGLES ±X.X° 2 PL ±X.XX 3 PL ±X.XXX			SIZE A4	DWG NO	REV
			FILE NAME: pickguard_1mm.dft		
			SCALE:	WEIGHT:	SHEET 2 OF 3

REVISION HISTORY

REV	DESCRIPTION	DATE	APPROVED



	NAME	DATE	<h1>Solid Edge</h1>		
DRAWN	marsik	08/07/23			
CHECKED			TITLE		
ENG APPR					
MGR APPR					
UNLESS OTHERWISE SPECIFIED DIMENSIONS ARE IN MILLIMETERS ANGLES ±X.X° 2 PL ±X.XX 3 PL ±X.XXX			SIZE A4	DWG NO	REV
			FILE NAME: pickguard_1mm.dft		
			SCALE:	WEIGHT:	SHEET 3 OF 3