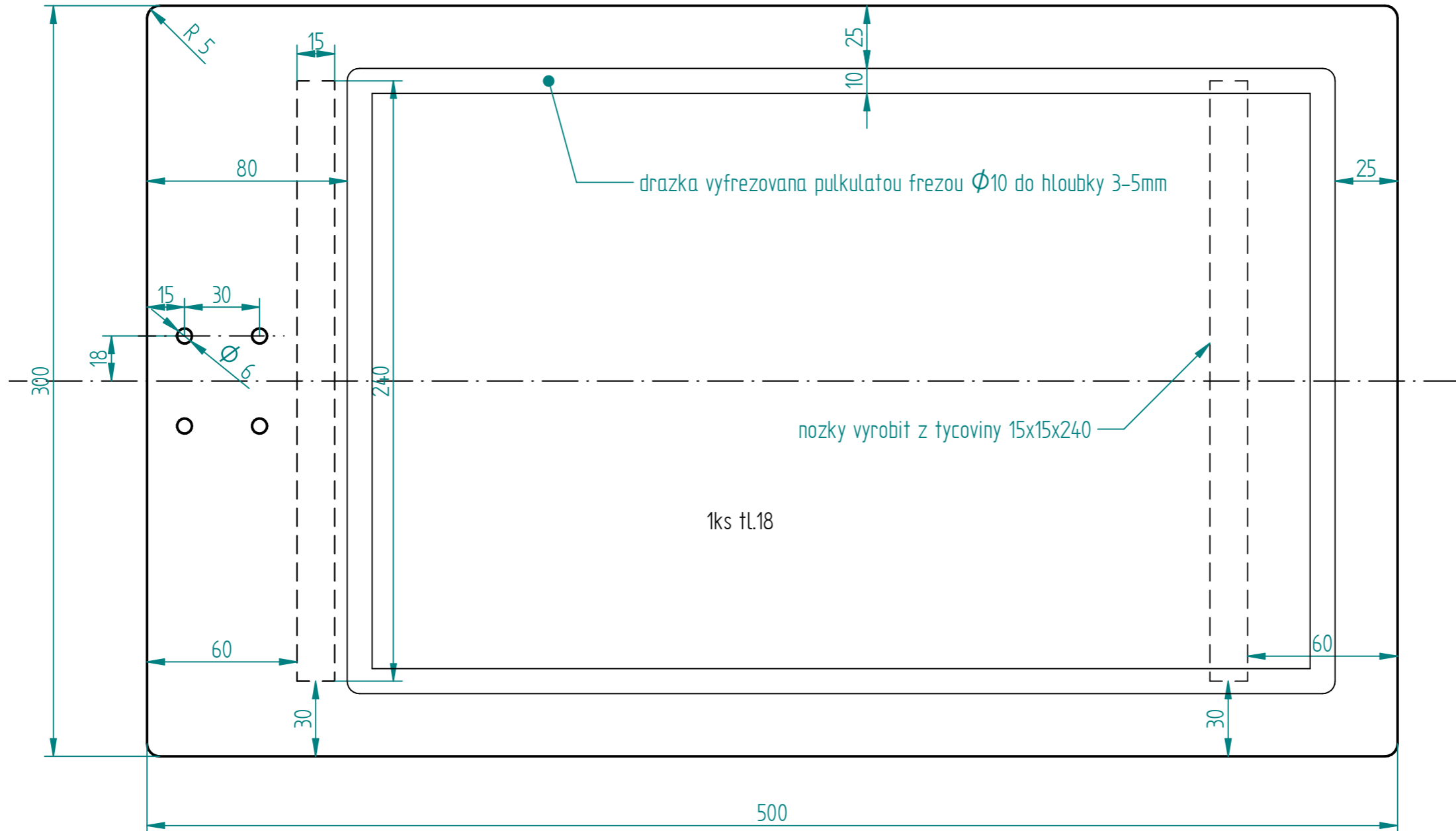


REVISION HISTORY

REV	DESCRIPTION	DATE	APPROVED

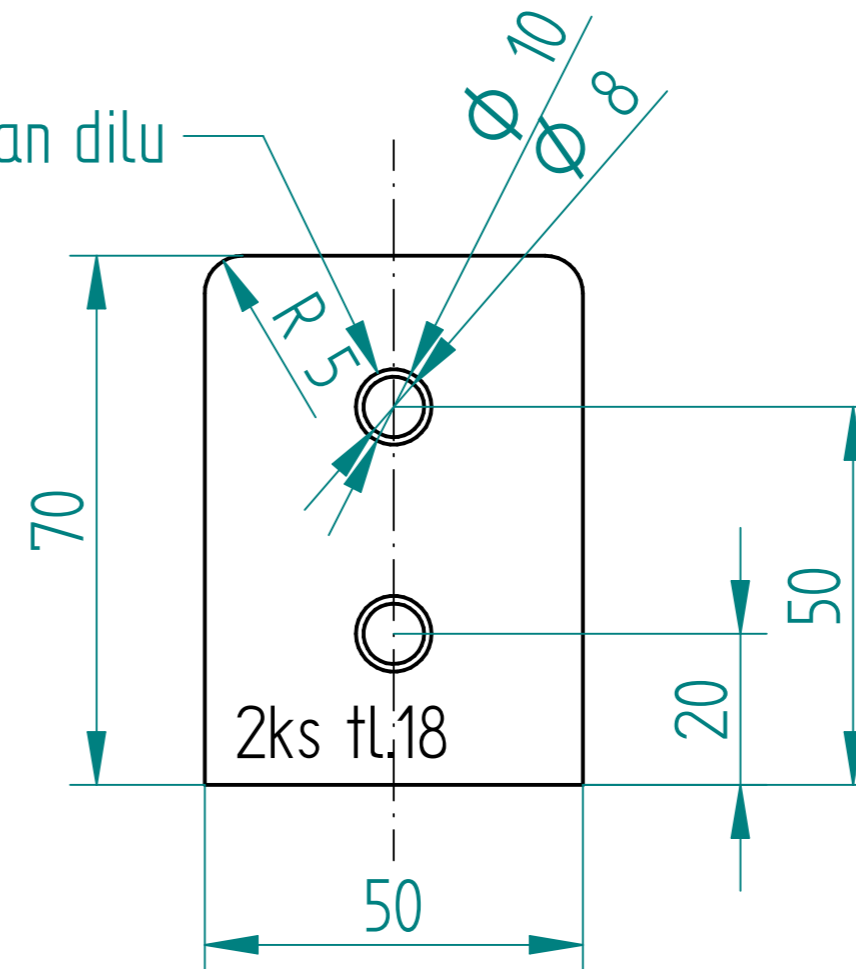


NAME		DATE		Solid Edge		
DRAWN		07/27/21				
CHECKED				TITLE		
ENG APPR						
MGR APPR						
UNLESS OTHERWISE SPECIFIED DIMENSIONS ARE IN MILLIMETERS ANGLES $\pm X.X^\circ$ 2 PL $\pm X.XX$ 3 PL $\pm X.XXX$				SIZE	DWG NO	REV
				A3		
				FILE NAME: lis.dft		
SCALE:		WEIGHT:		SHEET 1 OF 6		

REVISION HISTORY

REV	DESCRIPTION	DATE	APPROVED

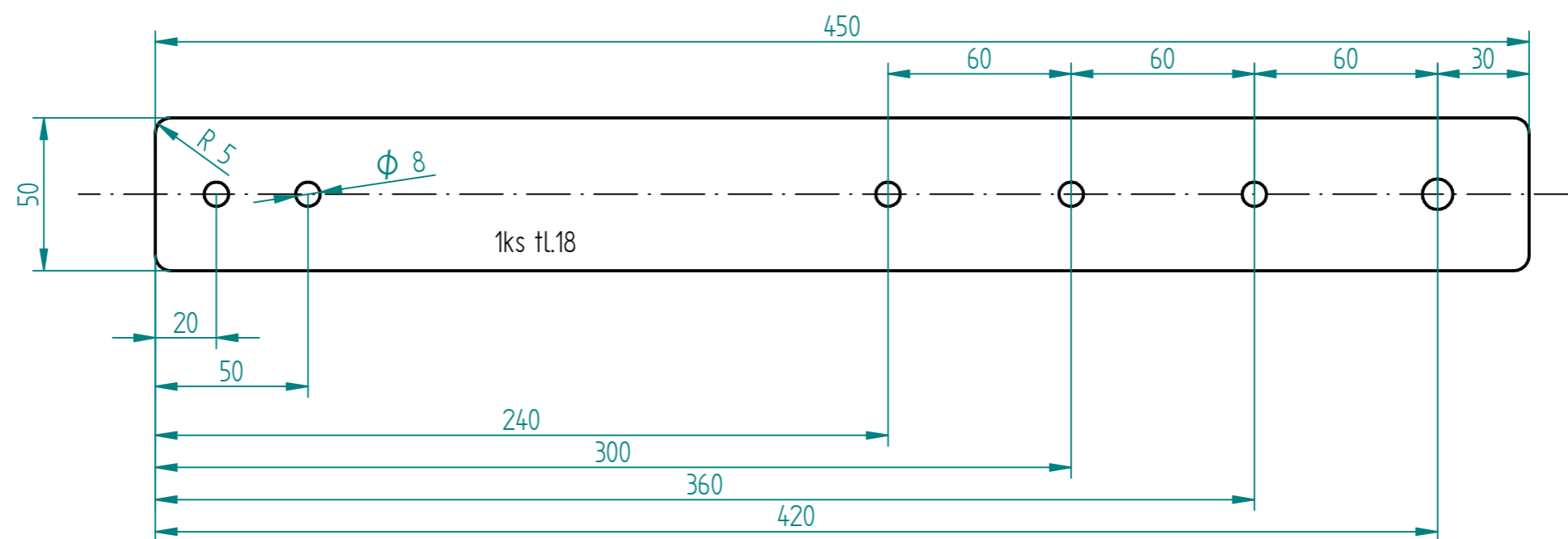
diry zahloubeny $\phi 10$ do hloubky 6mm z obou stran dilu
(ctvercova cast dniku vratoveho sroubu)



	NAME	DATE	Solid Edge		
DRAWN		07/27/21			
CHECKED			TITLE		
ENG APPR					
MGR APPR					
UNLESS OTHERWISE SPECIFIED DIMENSIONS ARE IN MILLIMETERS ANGLES $\pm X.X^\circ$ 2 PL $\pm X.XX$ 3 PL $\pm X.XXX$			SIZE A3	DWG NO	REV
			FILE NAME: lis.dft		
			SCALE:	WEIGHT:	SHEET 2 OF 6

REVISION HISTORY

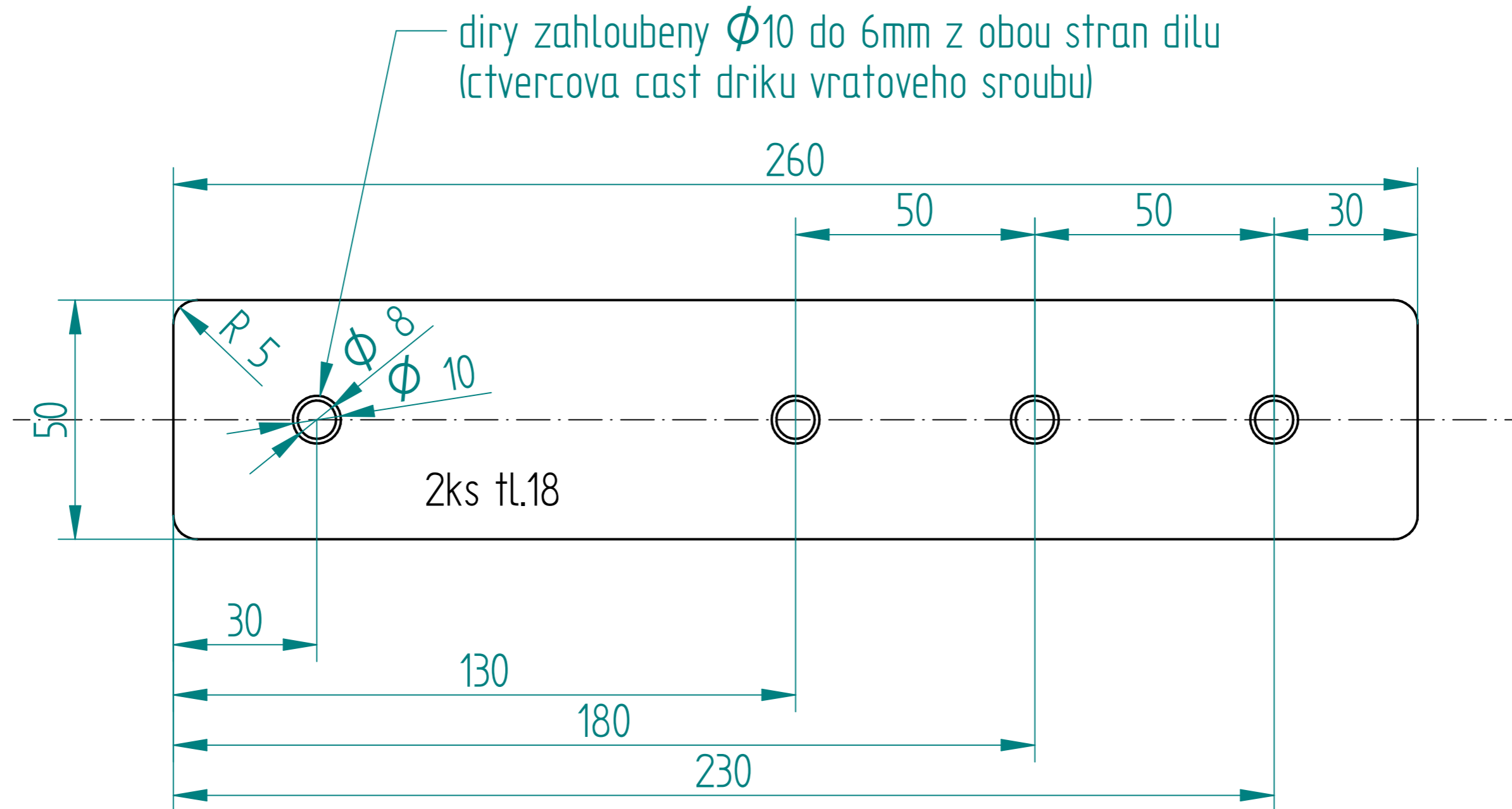
REV	DESCRIPTION	DATE	APPROVED



	NAME	DATE	<h1>Solid Edge</h1>		
DRAWN		07/27/21			
CHECKED					
ENG APPR					
MGR APPR			TITLE		
UNLESS OTHERWISE SPECIFIED DIMENSIONS ARE IN MILLIMETERS ANGLES $\pm X.X^\circ$ 2 PL $\pm X.XX$ 3 PL $\pm X.XXX$			SIZE	DWG NO	REV
			A3		
			FILE NAME: lis.dft		
SCALE:		WEIGHT:	SHEET 3 OF 6		

REVISION HISTORY

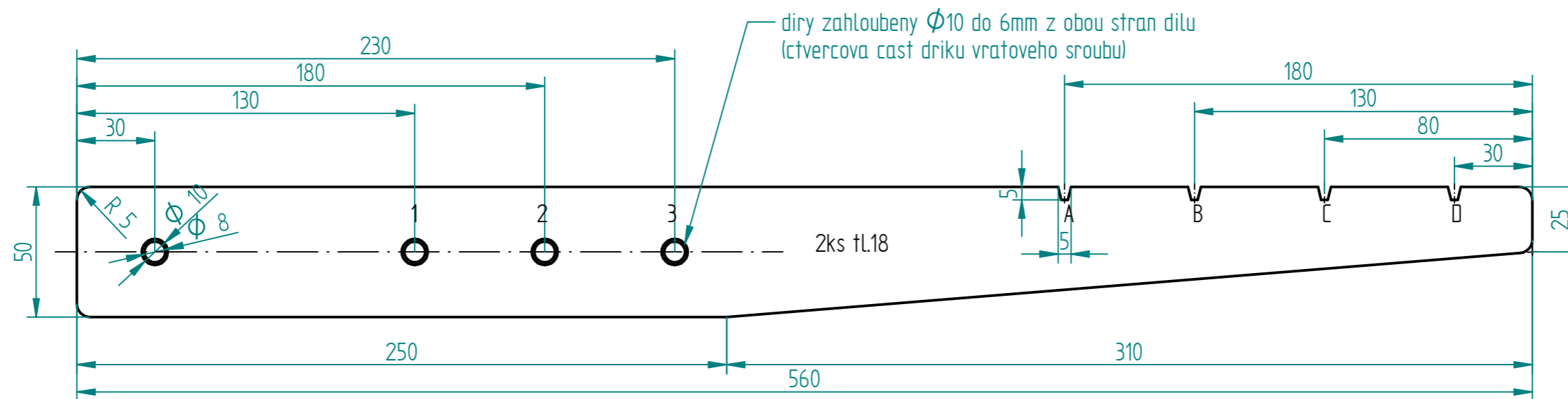
REV	DESCRIPTION	DATE	APPROVED



	NAME	DATE	Solid Edge		
DRAWN		07/27/21			
CHECKED			TITLE		
ENG APPR					
MGR APPR					
UNLESS OTHERWISE SPECIFIED DIMENSIONS ARE IN MILLIMETERS ANGLES $\pm X.X^\circ$ 2 PL $\pm X.XX$ 3 PL $\pm X.XXX$			SIZE A3	DWG NO	REV
			FILE NAME: lis.dft		
SCALE:		WEIGHT:	SHEET 4 OF 6		

REVISION HISTORY

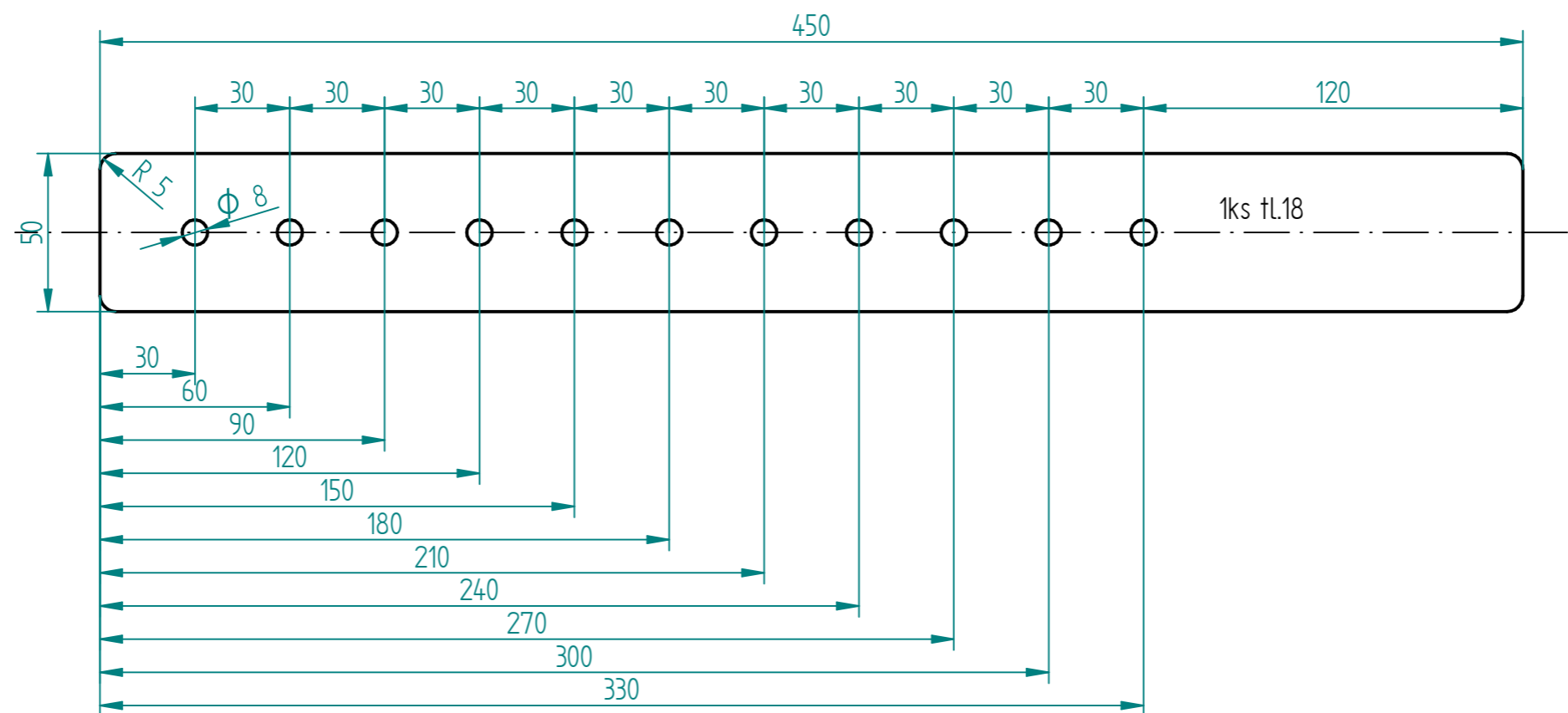
REV	DESCRIPTION	DATE	APPROVED



	NAME	DATE	<h1>Solid Edge</h1>		
DRAWN		07/27/21			
CHECKED					
ENG APPR					
MGR APPR			TITLE		
UNLESS OTHERWISE SPECIFIED DIMENSIONS ARE IN MILLIMETERS ANGLES $\pm X.X^\circ$ 2 PL $\pm X.XX$ 3 PL $\pm X.XXX$			SIZE	DWG NO	REV
			A3		
			FILE NAME: lis.dft		
SCALE:		WEIGHT:	SHEET 5 OF 6		

REVISION HISTORY

REV	DESCRIPTION	DATE	APPROVED



	NAME	DATE	<h1>Solid Edge</h1>		
DRAWN		07/27/21			
CHECKED					
ENG APPR					
MGR APPR			TITLE		
UNLESS OTHERWISE SPECIFIED DIMENSIONS ARE IN MILLIMETERS ANGLES ±X.X° 2 PL ±X.XX 3 PL ±X.XXX			SIZE	DWG NO	REV
			A3		
			FILE NAME: lis.dft		
SCALE:		WEIGHT:	SHEET 6 OF 6		